

# PRODUCT INFORMATION PACKET

Model No: 056T34D5306

Catalog No: G167

Fan and Blower Motor, 0.75 & 0.50 HP, 3 Ph, 60 & 50 Hz, 208-230/460 & 190/380 V, 3600 & 3000 RPM,  
56 Frame, DP



Regal and Marathon are trademarks of Regal Rexnord Corporation or one of its affiliated companies.

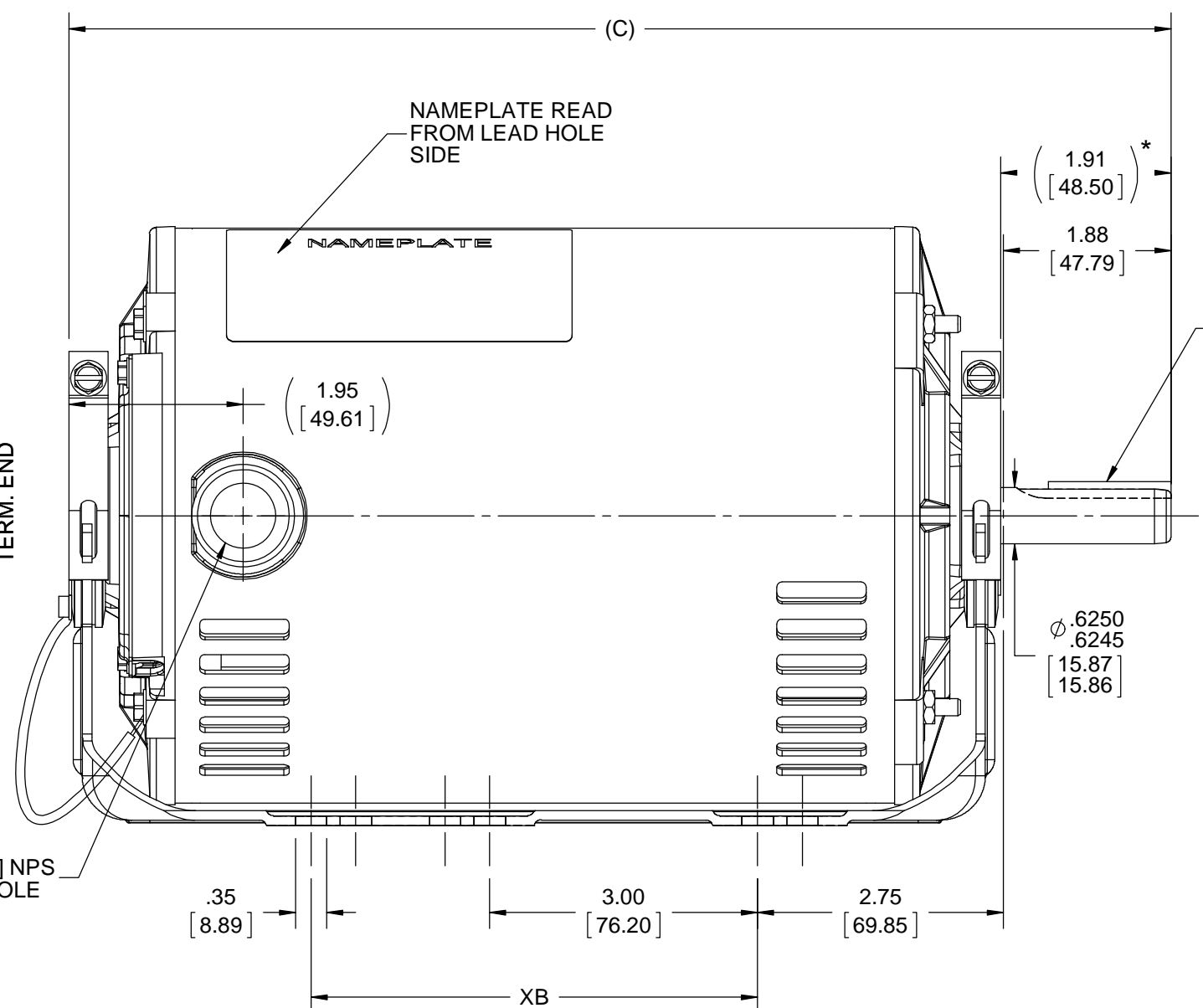
©2023 Regal Rexnord Corporation, All Rights Reserved. MC017097E

### Nameplate Specifications

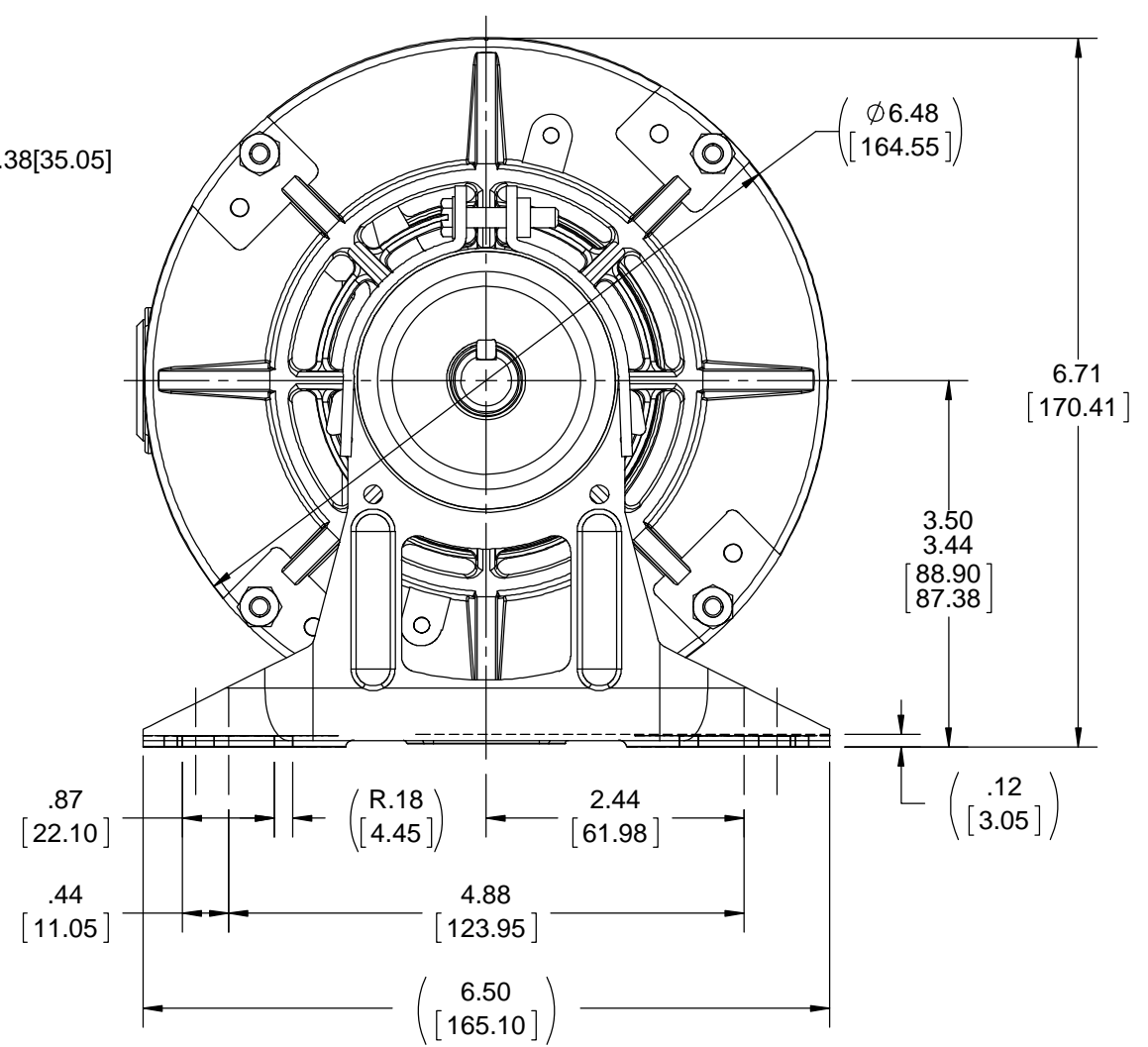
Phase	<b>3</b>	Output HP	<b>0.75 &amp; 0.50 Hp</b>
Output KW	<b>0.56 &amp; 0.37 kW</b>	Voltage	<b>208-230/460 &amp; 190/380 V</b>
Speed	<b>3450 &amp; 2850 rpm</b>	Service Factor	<b>1.25 &amp; 1.25</b>
Frame	<b>56</b>	Enclosure	<b>Drip Proof</b>
Thermal Protection	<b>Automatic</b>	Efficiency	<b>74 &amp; 70.5 %</b>
Ambient Temperature	<b>40 °C</b>	Frequency	<b>60 &amp; 50 Hz</b>
Current	<b>3-3.2/1.6 &amp; 2.8/1.4 A</b>	Power Factor	<b>69</b>
Duty	<b>Continuous</b>	Insulation Class	<b>B</b>
Design Code	<b>B</b>	KVA Code	<b>N</b>
Drive End Bearing Size	<b>6203</b>	Opp Drive End Bearing Size	<b>6203</b>
UL	<b>Recognized</b>	CSA	<b>Y</b>
CE	<b>N</b>	IP Code	<b>22</b>
Number of Speeds	<b>1</b>		

### Technical Specifications

Electrical Type	<b>Squirrel Cage Induction Run</b>	Starting Method	<b>Across The Line</b>
Poles	<b>2</b>	Rotation	<b>Reversible</b>
Resistance Main	<b>5.66 Ohms</b>	Mounting	<b>Resilient Base</b>
Motor Orientation	<b>Horizontal</b>	Drive End Bearing	<b>Ball</b>
Opp Drive End Bearing	<b>Ball</b>	Frame Material	<b>Rolled Steel</b>
Shaft Type	<b>T</b>	Overall Length	<b>10.85 in</b>
Shaft Diameter	<b>0.625 in</b>	Shaft Extension	<b>1.88 in</b>
Assembly/Box Mounting	<b>F1 Only</b>		
Connection Drawing	<b>A-EE7335</b>	Outline Drawing	<b>A-100128-656</b>



.19 [4.82]SQ x 1.38[35.05] KEY



NOTE:  
\* 1.DIMENSION IS FROM RESILIENT RING END CAP TO END OF SHAFT.

DASH	C	XB
606	10.34 [262.63]	0
656	10.84 [275.33]	0
706	11.34 [288.03]	0
756	11.84 [300.73]	5.00 [127.00]
806	12.34 [313.43]	5.00 [127.00]
856	12.84 [326.13]	5.00 [127.00]
906	13.34 [338.83]	5.00 [127.00]
956	13.84 [351.53]	5.00 [127.00]

DRAWING REVISION M	REVISION BY KHADHAR	DATE UD
ECO ECO-0157345	APPROVED BY JD	DATE 11/27/2018
ECO DESCRIPTION ADDED GREEN GROUND LEAD WIRE ON DRAWING		
<small>COPYRIGHT REGAL BELOIT AMERICA, INC. ALL RIGHTS RESERVED.                  PROPRIETARY AND CONFIDENTIAL INFORMATION - THIS DOCUMENT IS THE PROPERTY OF                  REGAL BELOIT AMERICA, INC. ("OWNER") AND CONTAINS OWNER'S PROPRIETARY                  INFORMATION. ANY PERSON, CORPORATION OR OTHER FIRM RECEIVING IT IS DEEMED,                  BY RECEIVING IT, TO AGREE THAT IT, AND/OR ANY PART OF IT, SHALL NOT BE DISCLOSED                  TO ANY PERSON, CORPORATION OR OTHER ENTITY, DUPLICATED, AND/OR USED, EXCEPT                  AS EXPRESSLY APPROVED IN WRITING IN ADVANCE BY OWNER. THIS DOCUMENT SHALL                  BE RETURNED TO OWNER UPON REQUEST. IT MAY BE SUBJECT TO CERTAIN                  RESTRICTIONS UNDER APPLICABLE EXPORT CONTROL LAWS AND REGULATIONS.</small>		

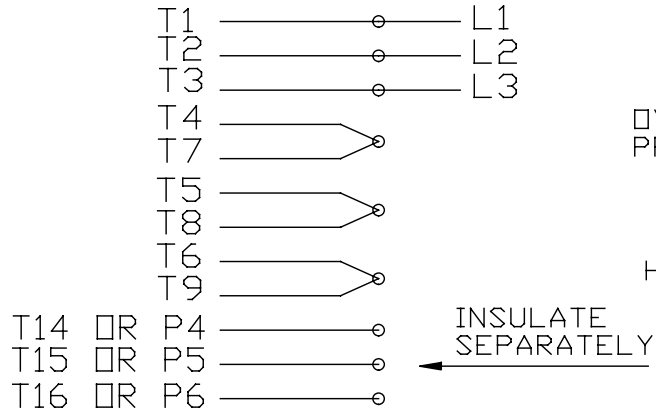
TOLERANCES UNLESS OTHERWISE SPECIFIED:			
DEC.	INCH	mm	ANGLE
.X	±0.1	[±2.5]	±7' 30"
.XX	±0.03	[±0.76]	
.XXX	±0.005	[±0.127]	
.XXXX	±0.0005	[±0.0127]	
REMOVE BURRS & BREAK SHARP EDGES: .003/.015 [0.076/.381] X 45°			
CORNER FILLETS: R.02 [0.51]			
MACHINED SURFACES: 200 INCH/mm 5.1			
mm SHOWN IN [BRACKETS]			

DRAWN BY PGK
DATE 06-06-1997
APPROVED BY GK
DATE 06-11-1997
REFERENCE 100128
THIRD ANGLE PROJECTION

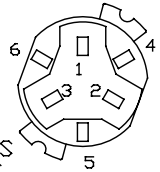
<b>REGAL</b> ™ Regal Beloit America, Inc.	
DESCRIPTION <b>OUTLINE</b> 56 FR. - DR.PR. - 3Ø - RESIL. MT.	
MATERIAL	PROCESS/FINISH
SIZE <b>B</b>	DRAWING NUMBER <b>100128</b>
SHEET 1 OF 1	

EE7335

### HIGH VOLTAGE CONNECTIONS



### THREE PHASE - DUAL VOLTAGE MOTOR WITH OVERLOAD PROTECTOR

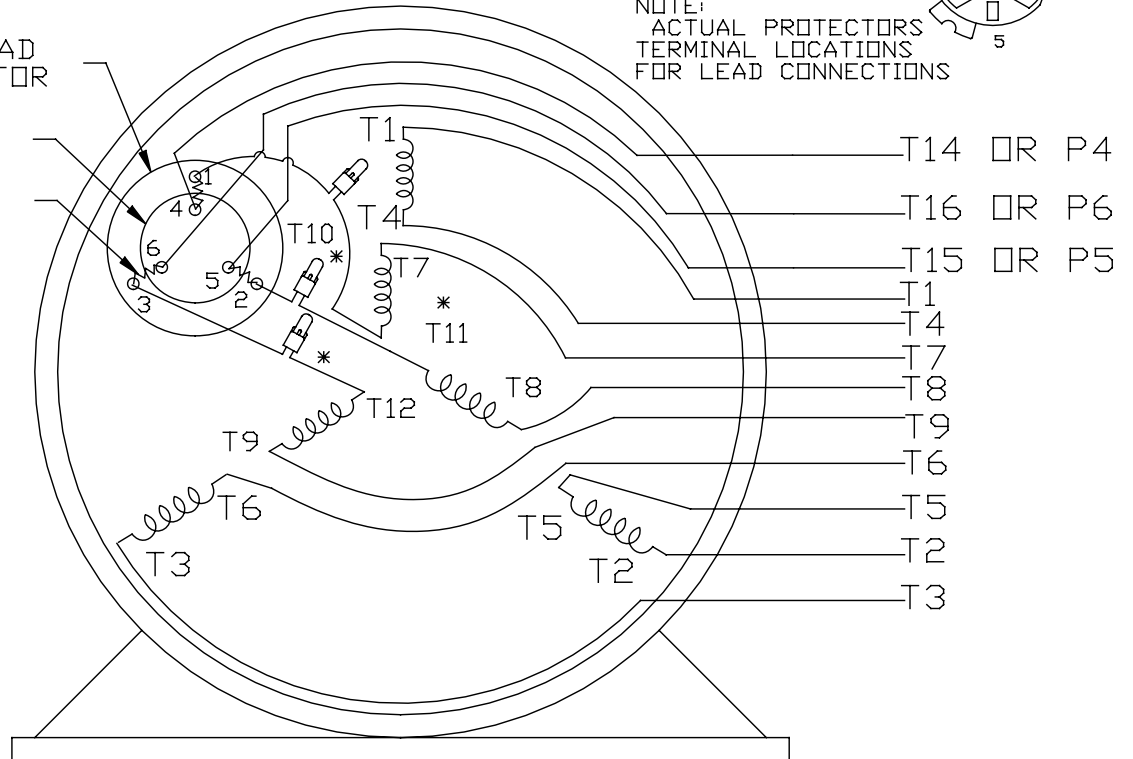


NOTE:  
ACTUAL PROTECTORS  
TERMINAL LOCATIONS  
FOR LEAD CONNECTIONS

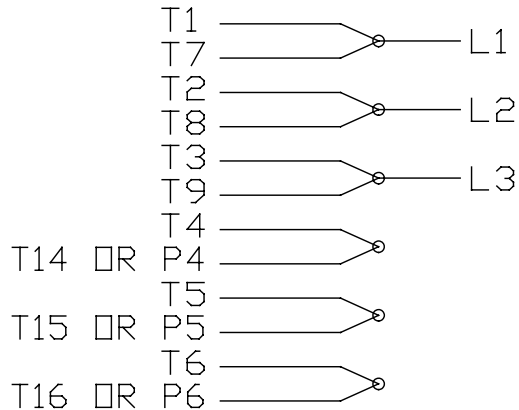
OVERLOAD PROTECTOR

DISC

HEATER



### LOW VOLTAGE CONNECTIONS



VIEW OF TERMINAL END

T2K
T4D
T6AN

\* USE PRESSURE CONNECTORS FOR MT2 PLANT ONLY

NO.	REVISION	BY & DATE	CHK	TOLERANCES UNLESS SPECIFIED		FINISH	DRAWN	SCALE	REV.
				DEC.	INCHES				
17	CHANGED LOGO FROM MARATHON TO REGAL	KIR 02/16/16	AB	DEC.	INCHES	<b>REGAL™</b> Regal Beloit America, Inc.	KL	08-09-1993	
16	PRESSURE CONNECTORS QUANTITY WAS 6	PVR 10/29/13	GR	.X	±.1		CHK	ML	08/10/1993
15	PRESSURE CONNECTORS ADDED	GR 03/04/13	SR	.XX	±.01	TITLE			
14	ADDED ACTUAL PROECTOR VIEW CN 17481	KL 05/18/94		.XXX	±.005	CONNECTION DIAGRAM			
13	REDRAWN IN AUTO CAD	KL 08/11/93		.XXXX	±.0005	3Ø-DUAL VOLT WITH OVERLOAD PROTECTO			
						MAT'L.			
						FINISH			
						CAD FILE	EE7335	SIZE	DRAWING NO.
								A	EE7335
									17

THIS DRAWING IN DESIGN AND DETAIL IS OUR PROPERTY AND MUST NOT BE USED EXCEPT IN CONNECTION WITH OUR WORK ALL RIGHTS OF DESIGN AND INVENTION ARE RESERVED THIS IS AN ELECTRONICALLY GENERATED DOCUMENT - DO NOT SCALE THIS PRINT